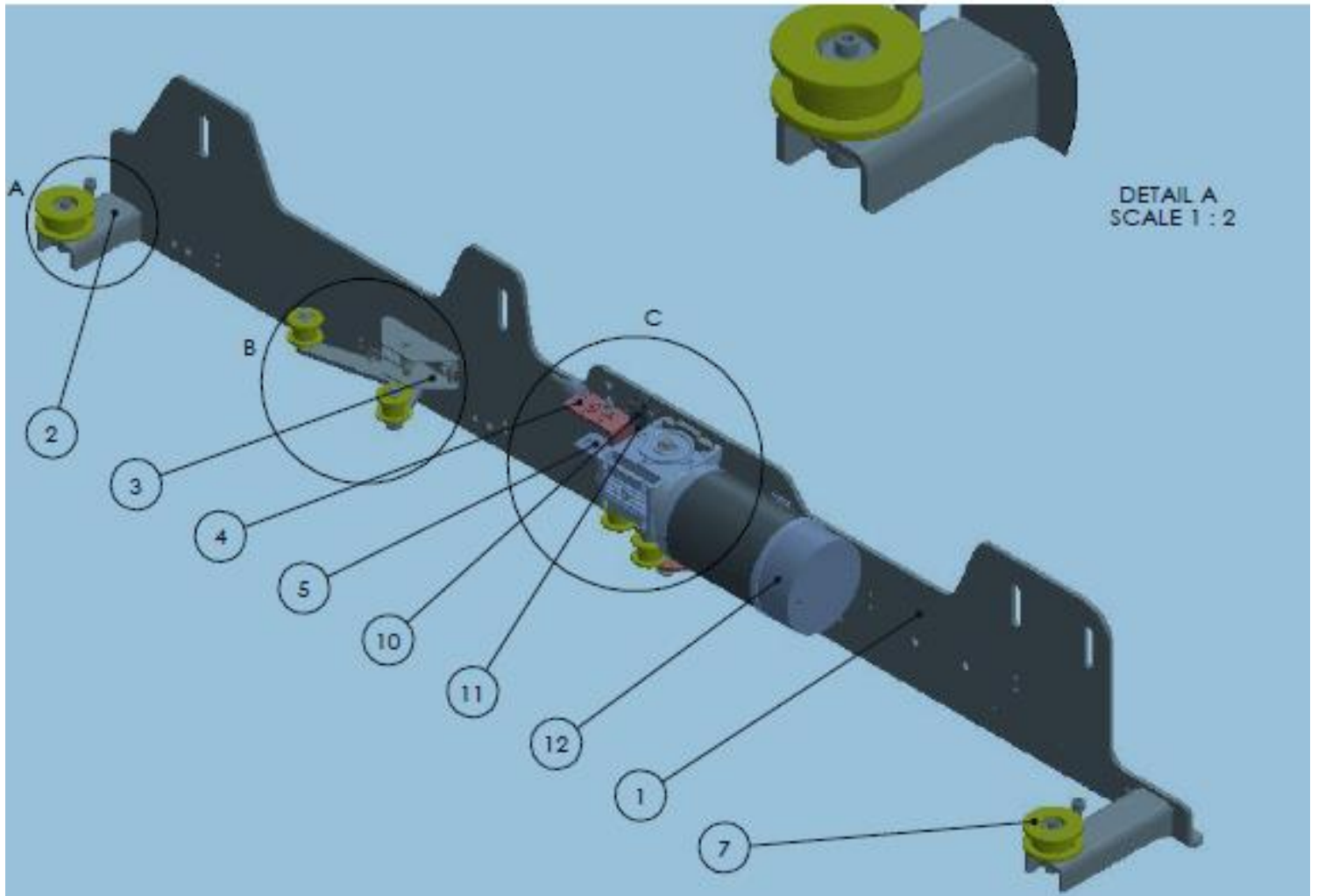


CRAFTER & SPRINTER MODELS

CONTENTS

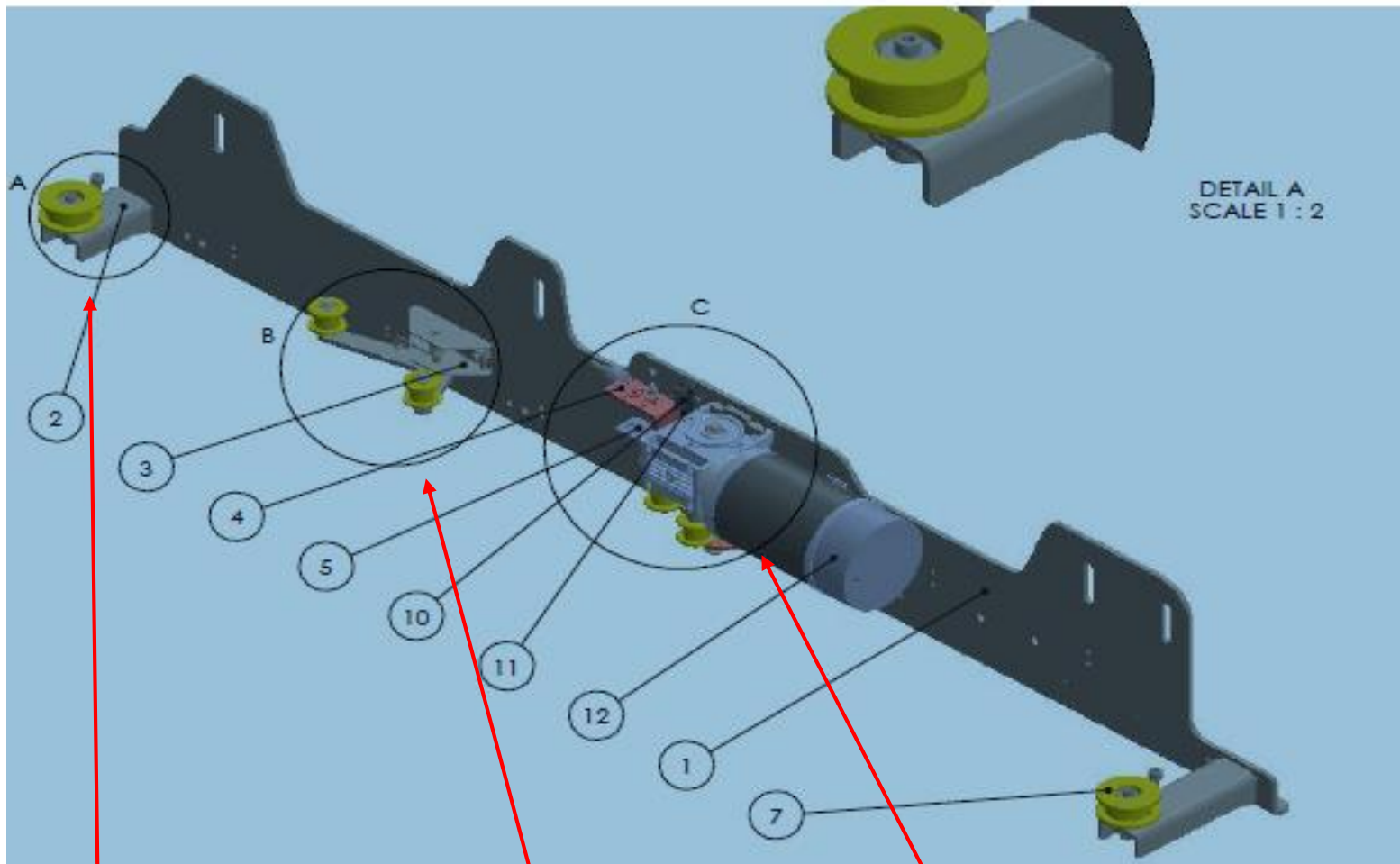
- Main components of door system 2 - 7
- Security systems of door system 7 – 8
- Working ways of door system8
- Assembling of door system..... 9– 28
- Working and control of door system..... 29 – 32
- Attendance of door system..... 33
- Terms of guarantee of door system..... 33 – 34
- Fault diagnosis at door system..... 35

MAIN COMPONENTS OF DOOR SYSTEM

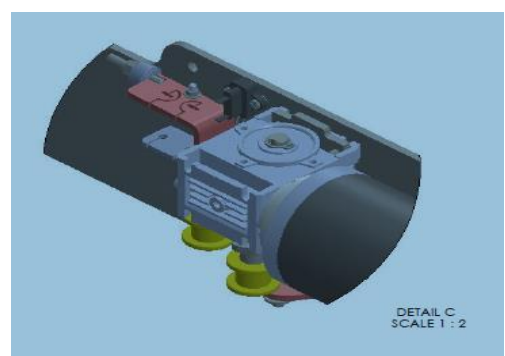
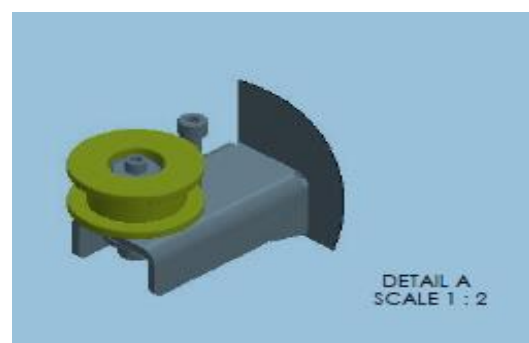
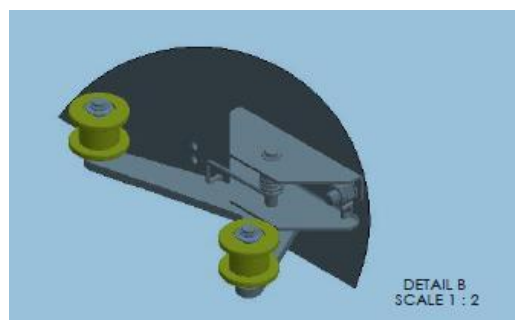


ITEM NO	DESCRIPTION OF PIECE
1	DOOR SYSTEM CHASSIS
2	SHORT STAYS GROUP
3	BELT STRETCHING
4	RELEASE FORK SEAM
5	L_PIECE
6	SIX EDGE HEAD FLANGE BOLT M6 X 10
7	LONG STAYS GROUP
8	SCREWHEAD SCREW YSB M4x15
9	PUL M4
10	SWITCH
11	RETURN SPRINGS
12	MOTOR GROUP

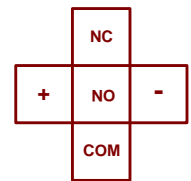
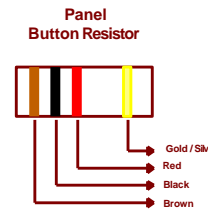
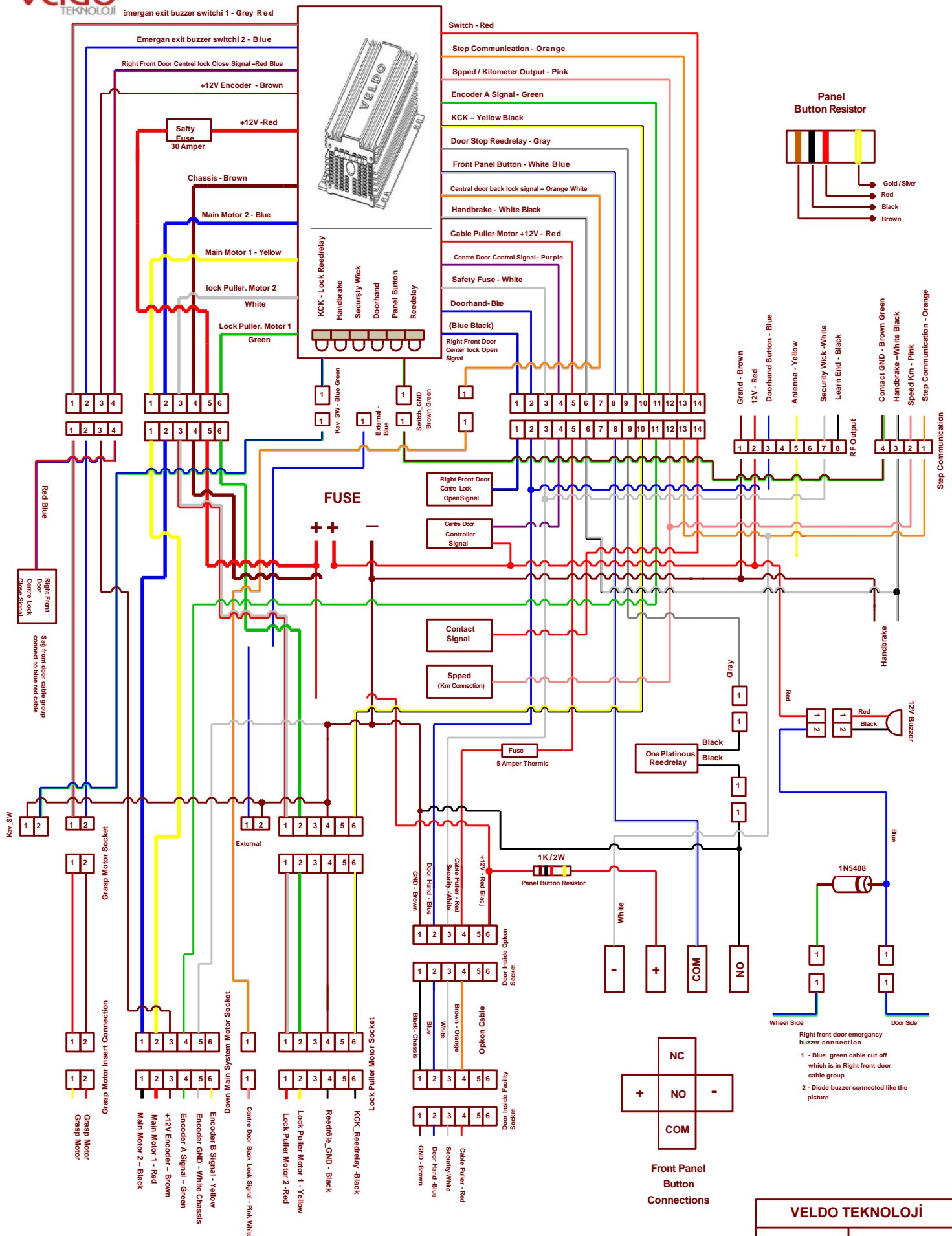
MAIN COMPONENTS OF DOOR SYSTEM



DETAIL A
SCALE 1 : 2



Coupler Space Control Unit



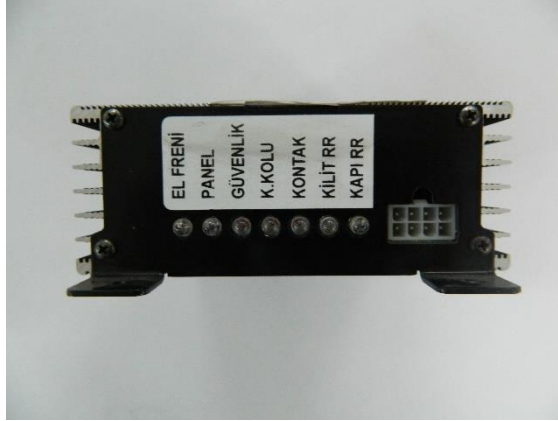
Right front door emergency buzzer connection

- 1 - Blue green cable cut off which is in Right front door cable group
- 2 - Diode buzzer connected like the picture

Clutch New Door System Facilities

VELDO TEKNOLOJİ	
FACILITY NAME	MAIN SYSTEM FACILITY
REVISION	SKK260E - V15
DROWN BY	MEHMET DURAN

MAIN COMPONENTS OF DOOR SYSTEM



Control Unit



Electrical Wiring: It provide to movement and signal control of automatic door.

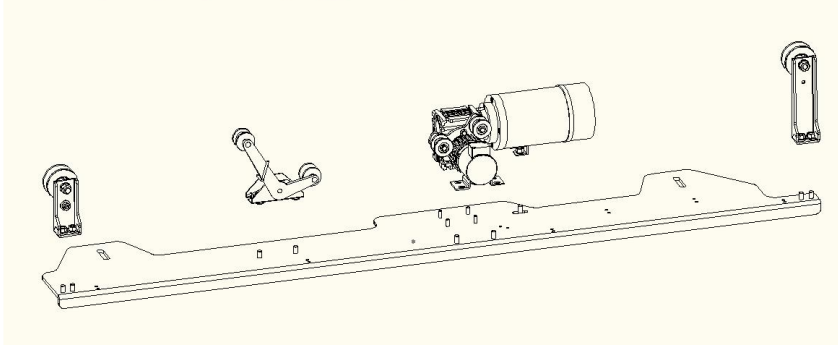


In-door electrical wiring: It provides to spent less power of automatic door for bring from the open position to the closed position



Unbolting System: It is the mechanism that automatically opens the door without changing the original lock mechanism of the vehicle door.

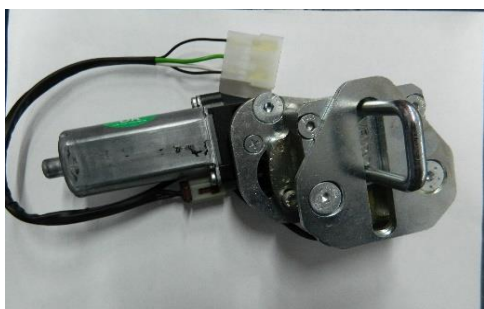
MAIN COMPONENTS OF DOOR SYSTEM



Door Drive Mechanism: It is the part containing the system units and placed under the automatic door on the vehicle chassis.



Motor Group



Lock Puller System: The automatic door ensures that less force is exerted to bring it from the open position to the closed position.



Cable Sheaves: Cable sheaves absorb the belt looseness that occurs during sudden changes in direction of the automatic door.

Movement Sheaves: Allows you to complete the motion in a frictionless manner by determining the direction of motion.

MAIN COMPONENTS OF DOOR SYSTEM



Reedrelay: It transfers the information that the automatic door is open or closed to the control unit.



Encoder: It allows automatic position information of the door to be transferred to the control unit and distance adjustment can be made.

SECURITY SYSTEMS OF VELDO AUTOMATIC DOOR



Security Wired: The automatic door allows the door to open automatically in case of any obstruction or jamming.

Overcurrent control: It is a security system that is switched on when the security fuse is disabled.

User controlled security system: When the door is automatically closed, the door automatically opens when the user commands from the front panel button or the door opening lever.

SECURITY SYSTEMS OF VELDO AUTOMATIC DOOR

Audible and light warning system: If the automatic door opens when the vehicle is moving or standing, if the door is opened from the inside opening arm; the user is audibly alerted.

In the form of an audible warning in short tones during closing, there is an intermittent audible warning in long tones during opening. When the door is opened and closed, the control unit sounds an audible warning. The user is warned by the light in the front panel button when the door is open.

Speed-controlled safety system: When the vehicle is moving when the vehicle speed is above a certain limit (5 km / h) and the door is not open and the door is open; it automatically closes when a certain speed limit (5km / h) is exceeded. Also, if the sliding door is attempted to open manually from the inside when the vehicle is moving, the system prevents the door from opening.

In case of accident or emergency: In case of emergency, the vehicle door can be opened manually from the inside and outside from the original door opening levers manually

WORKING WAYS OF VELDO AUTOMATIC DOOR SYSTEM



1 - With the on / off button mounted on the front panel,



2 - With the original remote control of the vehicle.



3- With the original door handle of the vehicle.

ASSEMBLING OF AUTOMATIC DOOR



Driver and passenger seats are first removed and removed from the car in order to mount Veldo automatic sliding doors.



The front interior mats and ventilation are removed as shown.



ASSEMBLING OF AUTOMATIC DOOR SYSTEM



After the cable duct covers are removed, the front part of the vehicle is brought to a lowered position.



B is removed after the inner handle on the mast and the hanging pin are dismantled.



ASSEMBLING OF AUTOMATIC DOOR SYSTEM



The coating on the inner step and the inner step are removed.

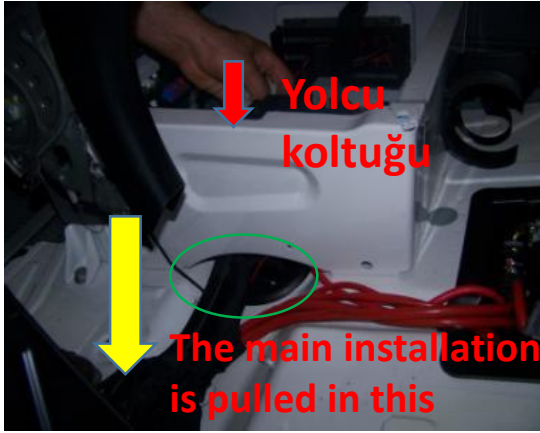


Remove the bottom cover of sliding door



Rear plating, C mast coating and wicking removed

ASSEMBLING OF AUTOMATIC DOOR SYSTEM



The main system of the Veldo automatic door is pulled from the passenger seat pool into the driver's seat pool.

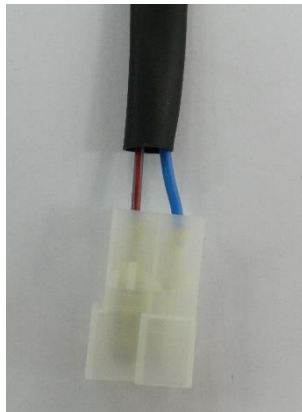


MAIN SYSTEM INSTALLATION CABLE TIPS



1

1. Power supply cords The **black cable** is connected to the negative (-) terminal of the battery, and the (+) terminal of the **red cable**.



2

2. The gripper (**red and blue on gray**)

Note:The clutch from the lower spindle will be fitted



3

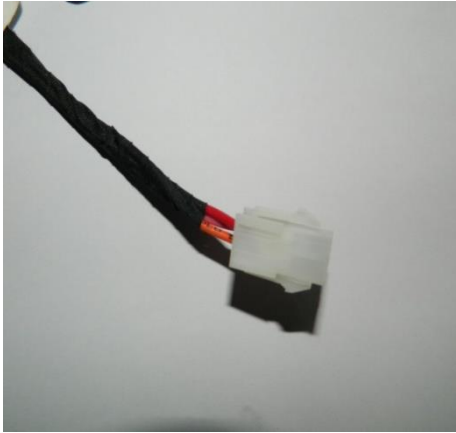
3. Reedrol tip (Gray and black cables attached to the B-pillar of the vehicle)



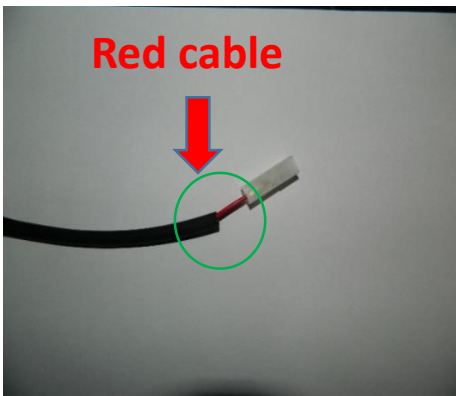
4

4. Middle door control signal port. (**Purple cable**)

ASSEMBLING OF AUTOMATIC DOOR SYSTEM



Step signal socket



Ignition on cable



p
i
c
t
u
r
e
w
i
l
l
b
e
t
a
k
e
n

The front door control signal cable at the main system installation is pulled under the torpeda and connected to the blue-black cable, which is the original front signal cable.

ASSEMBLING OF AUTOMATIC DOOR SYSTEM



As shown in the picture, the vehicle under the **driver mat** is powered by connecting the (+, -) automatic sliding door system via the **original battery**.



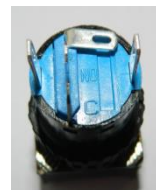
With the help of the front panel template, the pushbutton is opened and the door on / off button is attached.



The door on / off button cable in the main system installation is brought from the back of the center console to the panel socket and the plugs are attached to the butt. It is then installed in place of the panel.

- = white,
- + = red,
- COM = white-blue
- ON = black

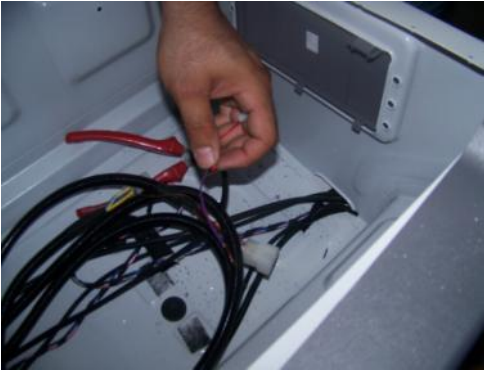
Add button image



Panel Button



ASSEMBLING OF AUTOMATIC DOOR SYSTEM



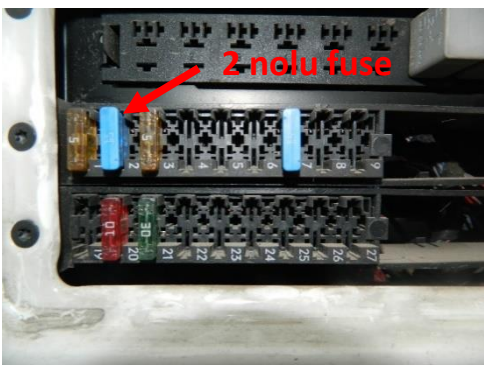
The sliding door control signal cable on the main system is pulled to the original mid door signal cable under the passenger seat and connected with the signal connection clip (purple cable)



Note : The vehicle will be connected to the blue black cable on the original installation.



As you can see, the control unit is placed under the driver's seat.



As shown in the picture, the vehicle will receive either a fuse 2 from the original fuse panel or a contact open signal.

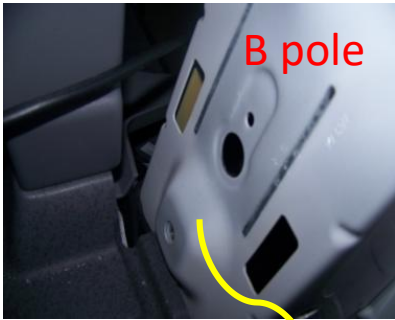
ASSEMBLING OF AUTOMATIC DOOR SYSTEM



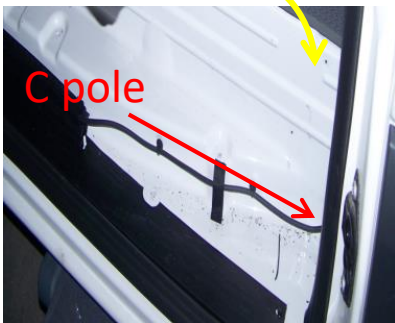
A hole is drilled under the passenger seat with the aid of template-2, and the cable passage rubber is fitted.



After the Veldo automatic sliding door is mounted under the car, the main system motor cable is extended from the lower part to the shaped hole and plugged.



The cable of the latching mechanism in the main system installation is taken off the edge of the pole cover B,



The sliding door slides under the dust pad and is brought up to the C chair.



After installing the main system installation, cable duct covers, ventilation and floor mats are installed.



ASSEMBLING OF AUTOMATIC DOOR SYSTEM

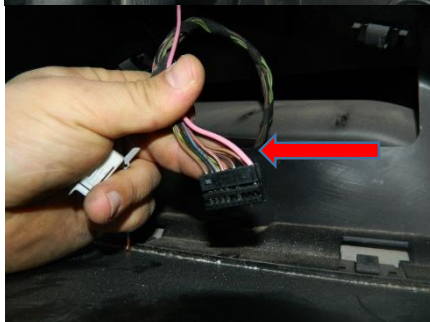


Central lock socket

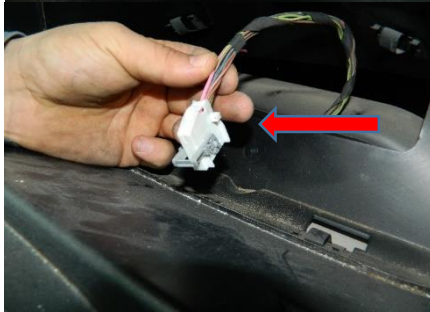
B is pierced with the help of the pole template-3, attached to reed and the cable is pulled through the pole.



The socket connected to the reed pulled from the main system installation under the driver's seat is connected with the cable of reedrolen and fixed to the pole. (Gray, Black, White)



As you can see, the pink cable in the installation is pulled behind the display clock.

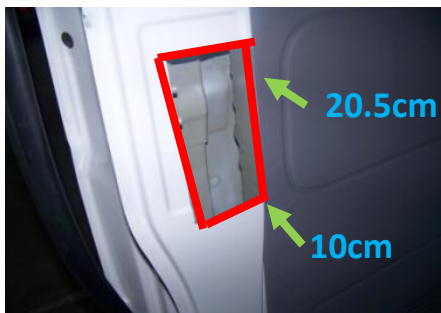


As you can see, the indicator clock socket 9 is inserted into the socket.

ASSEMBLING OF AUTOMATIC DOOR SYSTEM



C-stitch is cut with template-4 and the original lock is removed. the spot is painted with zinc spray.



Red lines are painted with zinc spray



After the slide door lock is removed, it is cut with template-5.

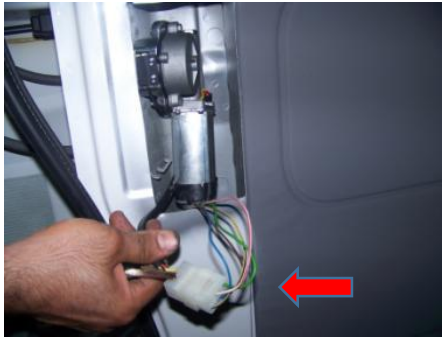


The cut is painted with zinc spray.



The lock catch mechanism is replaced.

ASSEMBLING OF AUTOMATIC DOOR SYSTEM



The slider door is joined with the cord extended from under the dust tires.



The sliding door top lock is dismantled, the wire is removed from the seat and the lock is reattached.

Slide door top lock release is removed, upper end bracket is cut from 0 end as seen in top lock release. It's put back in place.

(This does not apply to short chassis, ambulance case Sprinter models.)



To remove the sliding door lower leg, first mark the foot and foot bracket position, then remove the foot and lid.



ASSEMBLING OF AUTOMATIC DOOR SYSTEM



Remove the sliding door lower cable channel after the position is marked.



The inner step lower platen is removed, the back part coming to the cable side is cut to prevent the belt movement. After the 60mm belt through holes are opened, the plastic is reattached.



Remove the original sliding door finish bracket.

ASSEMBLING OF AUTOMATIC DOOR SYSTEM



Cut it as it is in the right and reinsert it after opening the left 60mm belt hole.



The left foot strap hole is cut with 60 punches with the aid of template 6.



The cut area is painted with zinc spray.



The right foot strap hole is cut with a 60-punch with the aid of template-7.



The cut area is painted with zinc spray.

ASSEMBLING OF AUTOMATIC DOOR SYSTEM



Opkon cable.



The Veldo automatic door opkon cable is connected to the main system installation, the cable is passed through the channel and then the cable is plugged into the channel marked.



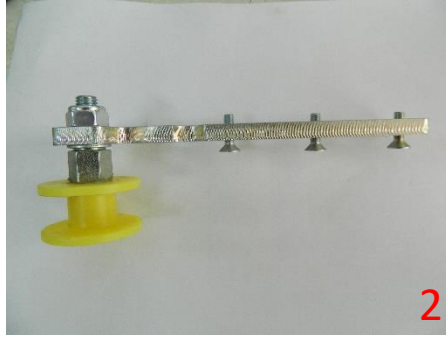
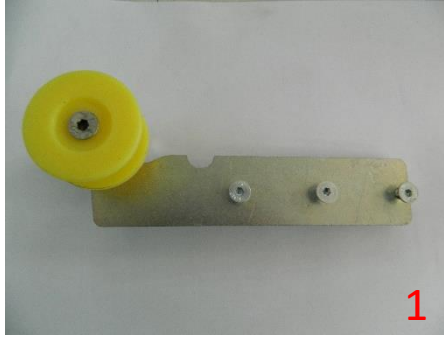
After the lower foot hook is completely cut from the marked place as shown in the upper left picture, the foot is attached back to the bracket.



ASSEMBLING OF AUTOMATIC DOOR SYSTEM



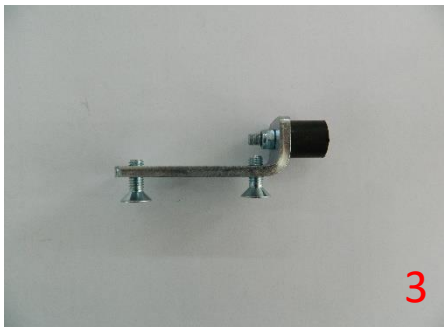
The door finishing group and door guiding group are mounted on the bottom of the inner step as seen on the left, and then the inner step is fitted.



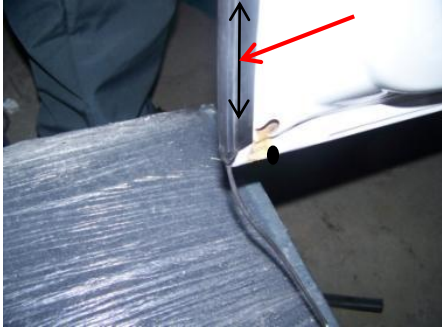
Door Routing Group



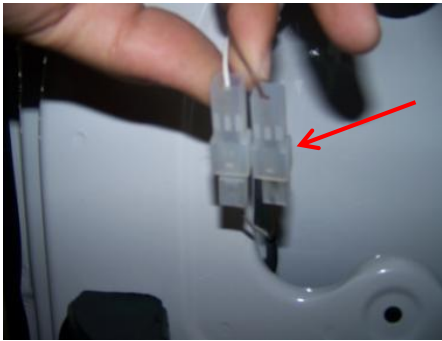
Door Termination Group



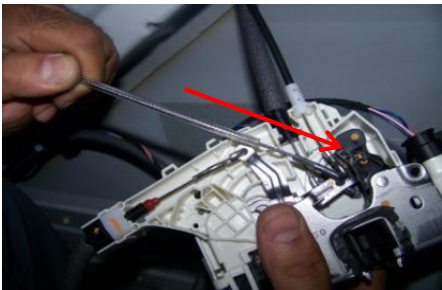
ASSEMBLING OF AUTOMATIC DOOR SYSTEM



The security wing is attached to the front of the sliding door, the lower hole is connected to the cable.



Sockets are attached to the Veldo door interior plumbing.



original sliding door lock is Removed , direll as shown in the picture and unbolting cable is inserted.

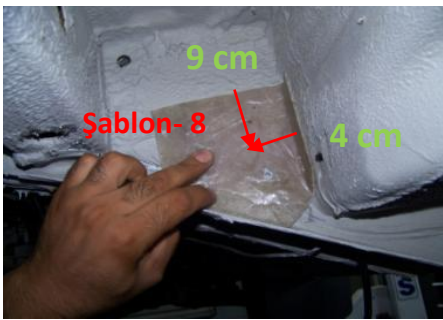


After the unlocking mechanism is installed, the plugs are inserted.

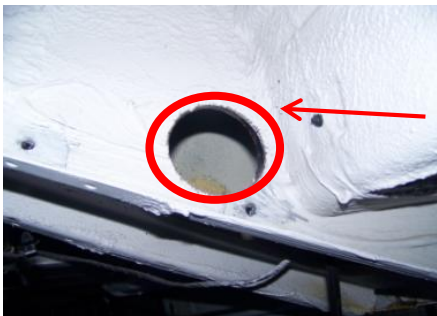
ASSEMBLING OF AUTOMATIC DOOR SYSTEM



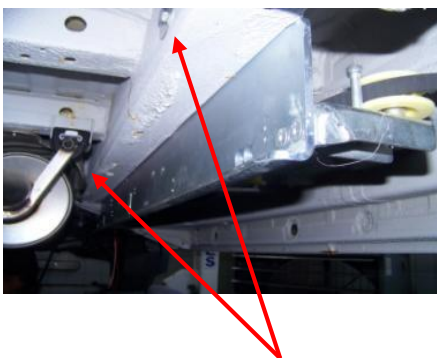
The wire is attached to the switch as seen from the bottom bracket. The switch task allows the outer door handle to work.



Once the vehicle has been lifted, the chassis is pierced with a 60-inch panch with the aid of the frame template 8 for belt passage of the main engine group.



The cut area is painted with zinc spray.



the automatic door case is installed in place. The main system motor group is connected to the main system installation through the wiring transition.

The Veldo automatic door case is fixed on the vehicle's own original holes.

ASSEMBLING OF AUTOMATIC DOOR SYSTEM



The system belt is pulled from the right-left foot rollers, the reducer flange pulley, through the belt tensioning pulleys, and then under the inner step.



Note: While the belt is being adjusted, belt turnbuckle shouldn't mounted.



The belt bonding group is connected to the system belt.



The belt bonding is fastening to the down foot.

ASSEMBLING OF AUTOMATIC DOOR SYSTEM



Sliding door linings, C masts and wickets are fitted.



VELDO automatic door frame cover caps are fitted.



MAIN SYSTEM INSTALLATION CABLE TIPS



The Veldo automatic door label is affixed and the assembly is completed.

WORKING AND CONTROL OF AUTOMATIC DOOR SYSTEM

Initial working status: Control unit is connect to facilities and when the insurance is installed and the first energy is supplied;

-The remote control of the car is activated by pressing the central locking buttons, then the central locking button is activated and the remote control is activated.

- The door is manually opened. When the panel button is held pressed and the short buzzer starts to be heard, the open command from the control panel is given and the panel button is released. In this case, the door first goes to the closing direction, then to the opening direction and finally the door closes completely, The buzzer 2 identifies the encoder by giving a short beep.

- In this position, the buzzer is constantly bouncing and waiting for commands. Door closes after command. All the lights on the control unit are turned off and the buzzer is muted.

General Work:

When the door is opened

- The lock catcher gives out the door.
- Unlocking engine unlocks the door by tapping the unlocking wire.
- The door starts to open the engine door, during this operation the buzzer will be tugged in long tones to indicate that the door has been opened.
- Opening is as much as the taught opening, the door system measures this distance with the encoder

WORKING AND CONTROL OF AUTOMATIC DOOR SYSTEM

General Working:

When the door is closed

- The door starts closing the engine door, during which time the buzzer alerts you that the door is closing in short tones.
- When the door is completely the buzzer finishes the hoisting operation,
- The lock pull mechanism pulls the door in.

Door operation settings: The part where the control settings of the control unit are made. These settings are made when the ignition is switched off. These settings are;

1- Door distance adjustment :

- The door opens manually to the desired distance, the buzzer is uninterrupted and continuously bounces.
- Press and hold the panel button, is entered into the learning mode (the situation where the buzzer is intermittently interrupted) without leaving the panel knob.
- The door learns the encoder direction by first going to the closing direction and then to the opening direction.
- After this process, the door goes back to the closing direction and closes the door completely.
- The locking catch pulls the door, the buzzer shuts the long probe twice, so the door distance is taught.

WORKING AND CONTROL OF AUTOMATIC DOOR SYSTEM

Door operation settings: It is the part where the operation settings of the control unit are made. These settings are made when the ignition is switched off. These settings are;

2- Doorhandle Activation:

- Press and hold the panel button to enter the learning mode.
- The panel button will be depressed as long as the buzzer is cut off - it will not be left until it is cut.
- After a while the buzzer is shut up
- Once the long end has been activated, the outer door handle becomes activated
- If the shorter probe bites twice, the outer door arm becomes passive.

Security:

1- When the door is opened:

- If there is an obstacle in the opening direction, the door stops with overcurrent.
- During the opening process, it is expected that the door will be closed again with the panel button or the control.

2- In case of emergency:

- If the vehicle speed is below 20km and the central locks are closed then if the vehicle speed falls below 5km and the ignition is open, the door lock is opened if the outer door is pulled, The door can be opened manually with the internal emergency arm.) In this case, the buzzer is constantly bouncing.

* These features are optional.

WORKING AND CONTROL OF AUTOMATIC DOOR SYSTEM

3- When the door is closed: If one of the following events occurs, the door stops and reopens.

- If a jamming door in the closing direction detects excessive current,
- If there is a impact in the safety wick while the door is closed
- If the door is pulled out while the door is closed
- If the panel button is pressed while the door is closed
- If the control is pressed while the door is closed

On-off commands:

1- Close commands:

- If the vehicle is moving and the vehicle speed is 5 km or more and the door is attempted to be opened from the inside, it closes immediately without allowing manual opening.
- If the door is opened automatically, if the vehicle is started and the handbrake is lowered, the door goes to the close and even if the open commands are given in this position, the door is not opened, it is notified in short tones by voice warning.
- The door is open and the car speed is 5 km and automatically switches off regardless of how it is opened or in which position it is.
- When the door is open and the vehicle speed is less than 5 km, the parking brake is activated when the handbrake is applied or the ignition is off. The door automatically closes when the control is active.

2- Open commands

When the door is closed and the vehicle speed is below 5 km, the handbrake is applied or the ignition is switched off automatically when the panel switch and the control are active.

ATTENDANCE OF DOOR SYSTEM

- Veldo Automatic Automatic door and step systems must be maintained once a year.
- System General Checks are done.
- The system belt changes.
- The unlocking pattern changes.

NOTE: Uncared products will be evaluated outside the scope of the Guarantee.

TERMS OF GUARANTEE OF DOOR SYSTEM

The terms of the warranty are part of the purchase agreement between the Veldo authorized dealer and the customer. The customer accepts the warranty terms by signature. Veldo guarantee certificate is given to the customer during delivery of the vehicle. The customer is required to present this document in order to be able to process the warranty. All of the automatic door / step including the parts are guaranteed for 2 years. The start of the guarantee is the delivery date of the Product Assembly or Customer.

DISCLAIMER OF WARRANTY TERMS

- Maintenance and repair of the automatic door / step must be carried out on time, regularly, by the appropriate technical knowledge and competent services and in accordance with the periodic maintenance and repair procedures.
- Failure to follow the instructions in the user manual.
- Automatic door / step; is used under improper conditions or under overload except for the purpose,
- If an original or non-equivalent part is attached to the automatic door / step, or if a change has been made by the manufacturer which is not technically approved,
- If the need for repairs in the purchased item is not reported in time,
- In spite of the warning made by the service, if the vehicle owner or the user has not provided the opportunity to repair it
- Defects due to use at high temperatures from extremely dusty, damp, (+ 80), (- 30) degrees
- Failures caused by natural disasters such as flood, fire, earthquake etc.
- The depreciation and abrasion of the parts which are the result of normal use and the nature of the material is not guaranteed. Examples of these pieces that have been subjected to abrasion include system belt, unlocking tines and rollers. However, parts are guaranteed if the material, workmanship and assembly error, that is, the fabrication error, are detected in these parts. If there are any changes or modifications to the product, the warranty does not apply in case of malfunctions.
- Faults caused by insect or animal damage to the product or damage to the product cables.

FAULT DIAGNOSIS AT DOOR SYSTEM

Fault	Cause	Control Points
The door never moves.	<ul style="list-style-type: none"> The fuse might have been thrown out. The system belt may be broken. The unlocking motor may be faulty. Unlocking cable may be broken. 	<ul style="list-style-type: none"> Fuse defects should be detected and corrected The system belt is checked, if it is broken, it is changed. If the unlocking turns idle and the sound of buzzing sounds, the wire is broken and replaced with the new one. If the door is operated from the control, the button is defective and the change is made.
The door is opened, the engine is running but the door is not opened.	<ul style="list-style-type: none"> Unlocking cable may be broken. 	<ul style="list-style-type: none"> If the unlocking motor is idling and sounding buzzing, the wire is broken and replaced with the new one.
After the door is opened, it is jerking off.	<ul style="list-style-type: none"> The belt turnbuckle group may be defective. 	<ul style="list-style-type: none"> The belt turnbuckling spring may be broken, a spring change is made.
The door is moving intermittently when opening / closing.	<ul style="list-style-type: none"> The reedrelay may be faulty. The encoder may be faulty. 	<ul style="list-style-type: none"> A magnet is held in front of the reed relay, and if the lock pulling motor is not working, the reed roll is faulty. The magnet is held in front of the reed relay, the encoder is defective if the lock pull motor is running.
After the sliding door is commanded, it is going to open continuously.	<ul style="list-style-type: none"> The reedrelay may be faulty. 	<ul style="list-style-type: none"> A magnet is held in front of the reed relay, and if the run does not run, the reed relay is faulty.
When the door closes, the buzzing sound comes.	<ul style="list-style-type: none"> lock puller may be faulty. 	<ul style="list-style-type: none"> After the door closes, the lock catch is checked. Since there may be a problem in the gear, the lock pulling mechanism is changed.
After the door closes, it stays outside, behind the door remains a gap.	<ul style="list-style-type: none"> lock puller may be faulty. 	<ul style="list-style-type: none"> If the magnet is held in front of the reed relay, there is no movement with the lock puller, or if the U is broken.
Security wired does not work	<ul style="list-style-type: none"> Door control unit may be faulty. If the checks we've done are not working on the final wicket, If the door is not stalled when you trigger the white wire (-) in the main system installation, the control unit is faulty. There may be a problem with the safety wired electrical installation. 	<ul style="list-style-type: none"> Open the door. when the brown cable is connected with the white cable, if the door stops and goes back, the wick is defective. Change roving. If the door stops and does not go back, when I give the white cable (-) trigger to the under the door (OPKON cable) under the front right seat, if the door stops and goes back, there is a break in the OPKON cable under the door. Change the opkon cable. If the fuse still does not work, the control unit is faulty if the door does not stop and return when you trigger the white wire (-) in the main system installation.